

## ◆ TROUBLE SHOOTING

### 1. No sound, the power LED is not on

Check all the connections and turn connectors slightly to insure proper contact. Make sure the power switch is on.

### 2. No super bass

Adjust the bass control on the subwoofer, and check if the audio signal has frequency under 200Hz.

### 3. Only some of the speakers working

Check all the connections between speakers to insure proper contact, and then choose another PC or stereo system. If it can work well now, it means there is no problem of the home theatre system; please check the audio signal output system carefully.

### 4. There is sound from one side when plug the 3.5mm stereo mini-plug into the headphone jack of CD-ROM.

This often happens on computers that are newly set up. There is sound from one side when plug the 3.5mm stereo mini-plug into the headphone jack of CD-ROM, while it's normal when play \*.WAV file and game. Because there is only one track of audio signal transmitted from the audio equipment, please check the audio system carefully.

### 5. Magnetic Interference

This system is magnetically shielded design and it's free from magnetic interference even located near to the monitor or TV. But the amplifier magnetism of the subwoofer is high; it will cause magnetic interference or magnetization if the subwoofer is located too close to the monitor or TV. Please locate the subwoofer at least 30cm away from the monitor or TV.

5

## ◆ TECHNICAL SPECIFICATION

RMS:30W+10W\*5

Subwoofer: 5.25"

Satellite unit: 3"\*5

Impedance:6Ω +4Ω

S/N:85dB

Frequency Response:Subwoofer: 20Hz-200Hz

Satellite unit: 150Hz-20 KHz

Controls:Front ,Rear,Bass,Remote,Mute,Stand by,CD/DVD

### Warnings and Precautions

If installed and maintained properly, your speaker system will provide years of safe trouble-free operation. Please observe the following warnings to avoid electrical shock, personal injury, and damage to the product.

1. Please be very careful to connect all cables or plugs correctly.
2. Don't always set the volume too high or to the maximum for daily use, otherwise it will make damage to the system.
3. Never disassemble the hardware. If taken apart it can become cause of electrical shock or damage to the product.
4. Disconnect the AC power from the outlet and turn the power off, when not in use for extended period.
5. Keep away from water and moisture. Avoid showers, bathtubs, sinks, swimming pools, open windows, rain, wet basements, etc. Keep away from heat sources such as radiators, heat registers, stoves, amplifiers or similar devices.
6. Do not let objects fall into the system. Keep liquids away from spilling on the system. If it happens, please don't use the system until professionals have checked it.
7. The speaker is not working, please reset it after five to ten second.

6

## 5.1 HOME THEATER SYSTEM

MODEL:DR-8028



## ◆ WELCOME!

Congratulations on your purchase of this quality product. Home theatre Systems will bring an exciting new sonic dimension to computer games, music, movies and multimedia presentations. Before installation, please read this manual carefully to avoid electrical shock, personal injury, and damage to the product.

**The technical specifications are subject to change without notice.**

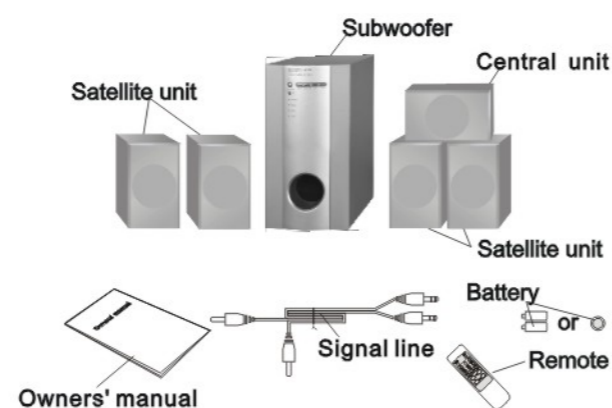
1

## ◆ PACKAGE CHECKLIST

The following items are included in this package:

1. Subwoofer
2. Five satellite units with wire
3. Three 3.5mm stereo mini-plug to RCA plug "Y" audio signal input cables (used to connect PC or stereo to the subwoofer signal input connectors)
4. Owners' manual (this booklet), Battery, Remote

Please refer to figure 1 and be sure you have all these items. Please contact the retailer if any of these items are missing. Save this manual for future reference.

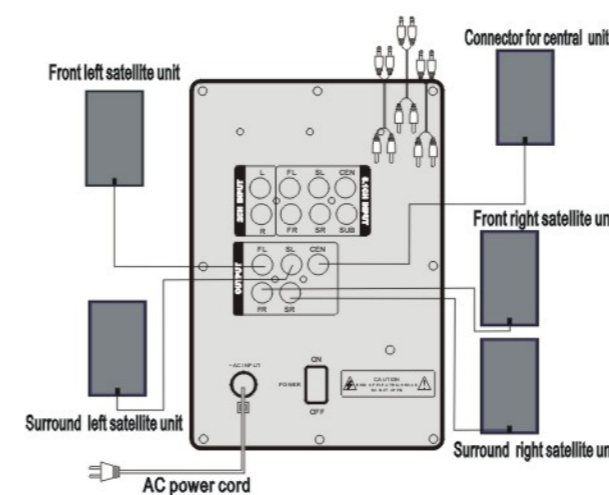


(FIGURE 1)

2

## ◆ LAYOUT OF THE BACK PANEL OF THE SUBWOOFER.

1. Signal input connector (RCA plug)
2. Audio signal input cables (Green, yellow, blue color connector)
3. Connector for front right and left satellite unit
4. Connector for central, rear right and left satellite unit
5. Controls:select voltage switch
- 6 Power on/off switch
7. AC power cord



(FIGURE 2)

3

## ◆ SET-UP PROCEDURE

Make sure to turn off your computer or audio equipment. Turn down all volume controls before you start set-up procedure.

1. Connect the wire of front right and left unit, central unit, rear right and left unit to the connectors on the back panel on the subwoofer marked FR, FL, CEN, RR, RL. (Refer to figure 2)
2. Connect the green, yellow and blue 3.5mm stereo mini-plugs to the corresponding connectors on the 5.1 sound card of the PC or DVD; plug the other end of the audio signal input cables to the corresponding audio signal input connectors on the back panel of the subwoofer. (Refer to figure 2)
3. Make sure your power voltage that is 230 voltage or 110 voltage, then Turn the select switch on the true voltage. Connect the AC power cord to an electrical outlet. Press the power switch to turn on the speaker system, and turn your PC on, then play music with the audio equipment. Adjust the front control, central control, rear control, bass control of the speaker system, along with the controls of your PC or stereo system to your liking. You could now be enjoying your new Multimedia Speaker System.

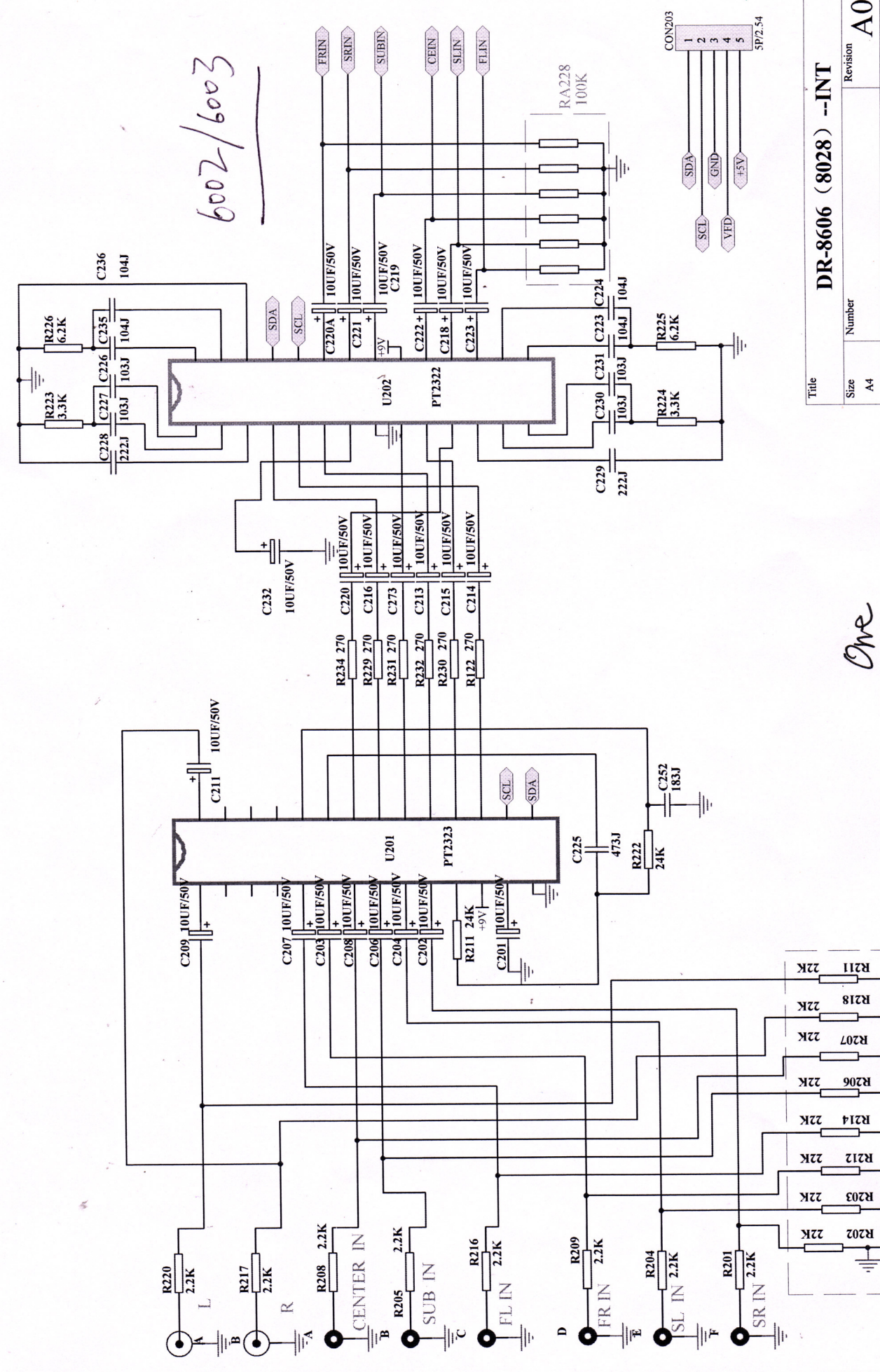
4. When you turn the power switch on, It is standby/mute state, and the led is red.

5. Push down the standby key, the led is green and the speakers are working on.

4



1 2 3 4



**DR-8606 (8028) --INT**

Title	Size	Number	Revision
	A4		<b>A0</b>

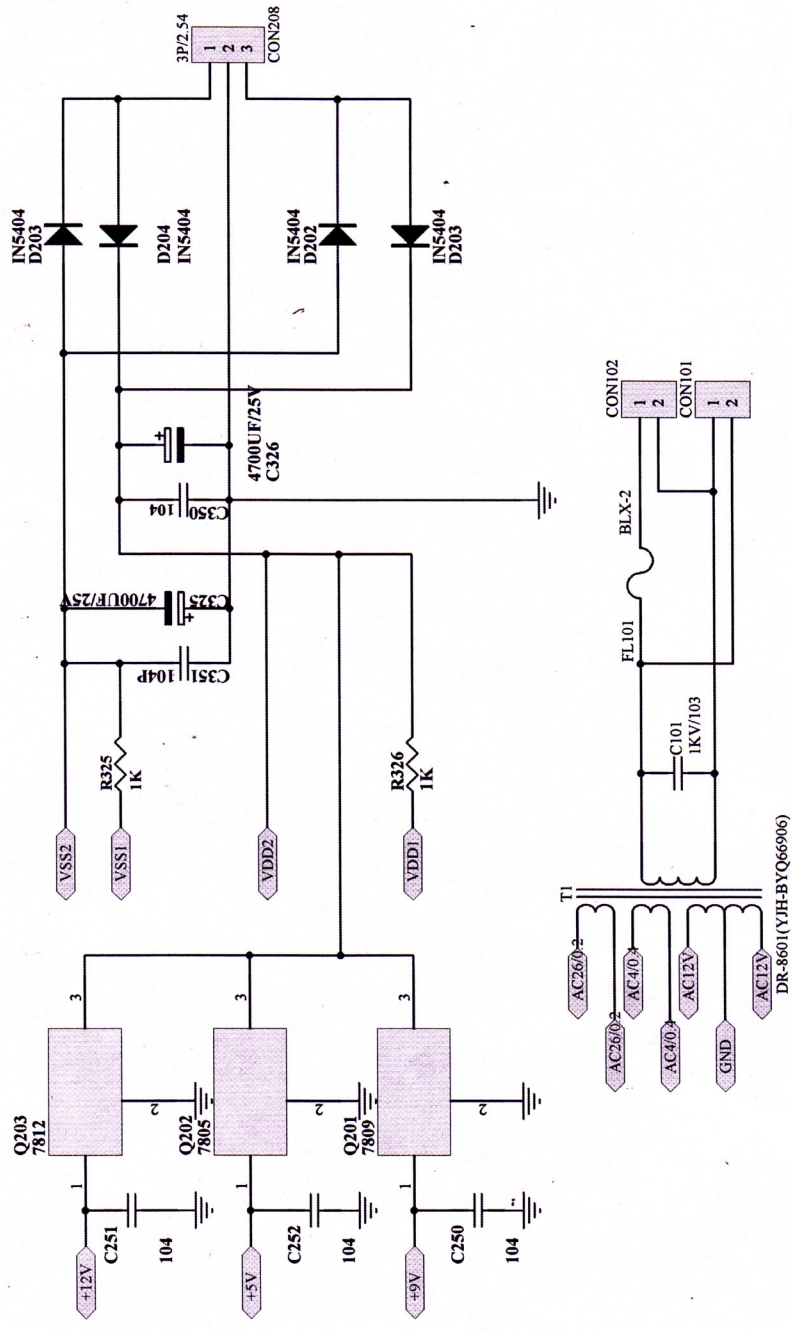
Sheet of **DR-8606 (8028) --INT** 模块化开模 PCB S1 模块化数码板原理图 D

Date: 24-Feb-2006  
File: C:\Documents and Settings\Administrator\My Documents\DR-8606 (8028) --INT 模块化开模 PCB S1 模块化数码板原理图 D

One

1 2 3 4

6002/6003



Title		DR-8606 (8028) -POWER SUPPLY	
Size	Number	Revision	
A4			
Date:	24-Feb-2006	Sheet of	
File:	C:\Documents and Settings\Administrator\My Documents\DR8606-8028-AMP.Bkp	4	

THREE

6062/6003

SUB

FR

FL

SR

SL

CE

(DR-8028) -AMP.PCB

DR-8606 (8028) -AMP

Title		Revision	
Size	Number	Revision	
A4		A0	
Date:	24-Feb-2006	Sheet of	
File:	C:\Documents and Settings\Administrator\桌面\DR8606-AMP.Bsp	4	

TWO

